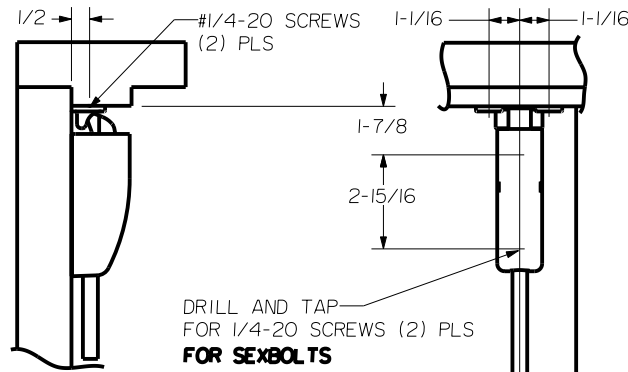


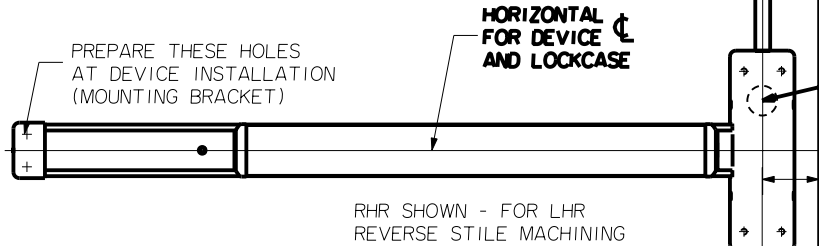
REINFORCEMENT REQUIREMENTS
 PROVIDE ADEQUATE REINFORCEMENT TO METAL COVERED COMPOSITE AND HOLLOW METAL DOORS FOR THE DRILLING AND TAPPING OF THE MACHINE SCREWS.

SEX NUTS AND BOLTS
 SEX BOLTS ARE REQUIRED FOR PLASTIC, WOOD, METAL COVERED COMPOSITE AND HOLLOW METAL DOORS WITHOUT REINFORCEMENT

SEX BOLT MACHINING
 HOLE "A" (4) PLS AND MOUNTING BRACKET
 DRILL 1/4 DIA INSIDE
 DRILL 3/8 DIA OUTSIDE

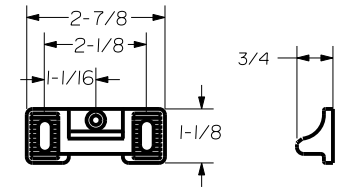


DRILL AND TAP FOR 1/4-20 SCREWS (2) PLS
FOR SEXBOLTS
 9/32 DIA. INSIDE
 3/8 DIA OUTSIDE
 (HC DEVICES REQUIRE SEXBOLTS)

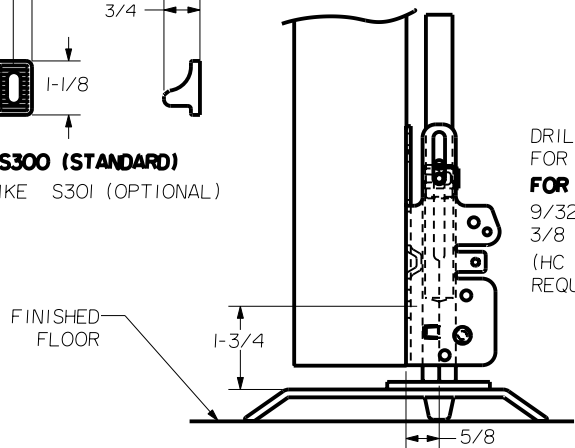


RHR SHOWN - FOR LHR REVERSE STILE MACHINING

DRILL AND TAP FOR 1/4-20 SCREWS (2) PLS
FOR SEXBOLTS
 9/32 DIA. INSIDE
 3/8 DIA OUTSIDE
 (HC DEVICES REQUIRE SEXBOLTS)



STRIKE S300 (STANDARD)
 ROLLER STRIKE S30I (OPTIONAL)



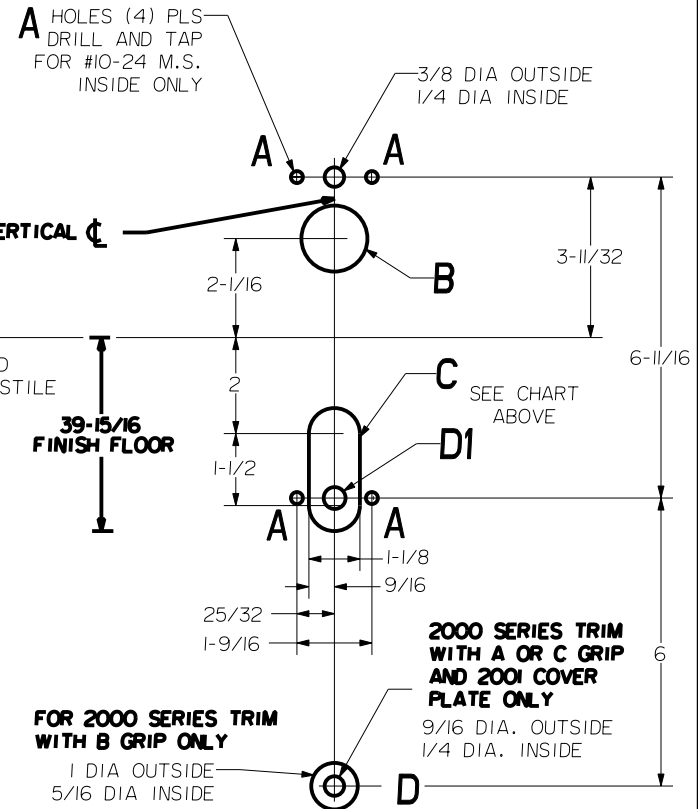
THRESHOLD APPLICATION

NOTE: "LETTER" AT END OF TRIM MODEL NO. DESIGNATES GRIP STYLE. EXCEPT AS NOTED, GRIP STYLE HAS NO EFFECT ON STILE MACHINING.

LBR DEVICES:
 OMIT BOTTOM BOLT MACHINING.
FIRE BOLT REQ'D FOR FL DEVICES
 SEE DRAWING 01297-II-000 FOR DETAILS


DEVICES	TRIMS	HOLE B 1-3/8 DIA. THRU DOOR	SLOT THRU DOOR C	DI
2201.FL2201	2001	NO	NO	3/8 DIA OUTSIDE 1/4 DIA INSIDE
2202.FL2202	2002			
2203.FL2203	2003	YES	YES	NO
2205.FL2205	2005			
2215.FL2215	2015	NO		

LOCK STILE MACHINING



FOR 2000 SERIES TRIM WITH B GRIP ONLY
 1 DIA OUTSIDE
 5/16 DIA INSIDE

2000 SERIES TRIM WITH A OR C GRIP AND 200I COVER PLATE ONLY
 9/16 DIA. OUTSIDE
 1/4 DIA. INSIDE

 Precision Hardware a Division of Stanley Security Solutions, Inc. www.stanleysecuritysolutions.com			
DEVICE SERIES		TRIM SERIES	
2200, FL2200, 2200LBR, FL2200LBR		2000	
STRIKE NO.	RELEASED DATE	TEMPLATE NO.	REV
S300, S30I, S460	5/01/05	HM-2200B	C