

REINFORCEMENT REQUIREMENTS

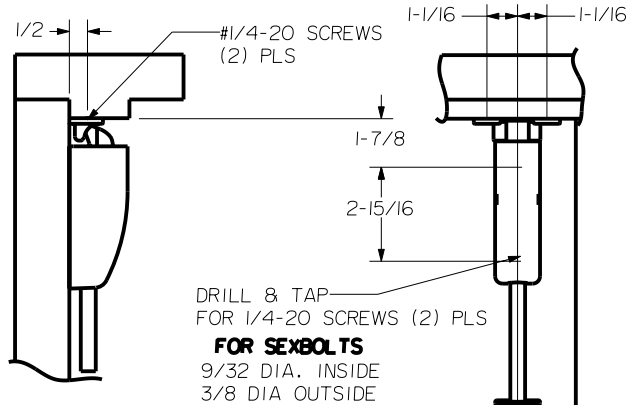
PROVIDE ADEQUATE REINFORCEMENT TO METAL COVERED COMPOSITE AND HOLLOW METAL DOORS FOR THE DRILLING AND TAPPING FOR THE MACHINE SCREWS.

SEX NUTS AND BOLTS

SEX BOLTS ARE REQUIRED FOR PLASTIC, WOOD, METAL COVERED COMPOSITE AND HOLLOW METAL DOORS WITHOUT REINFORCEMENT

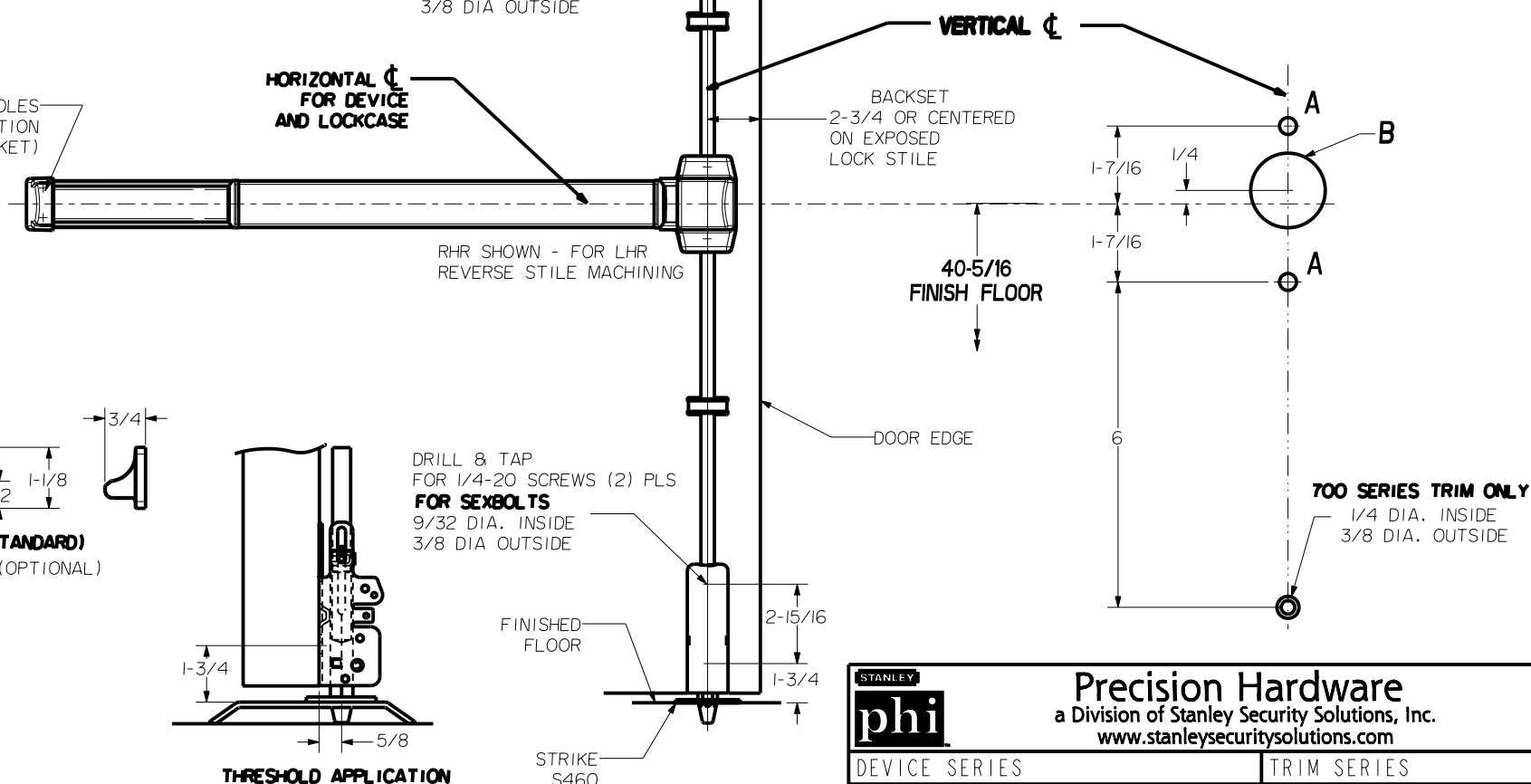
SEX BOLT MACHINING

HOLE "A" (2) PLS AND MOUNTING BRACKET
 DRILL 1/4 DIA INSIDE
 DRILL 3/8 DIA OUTSIDE

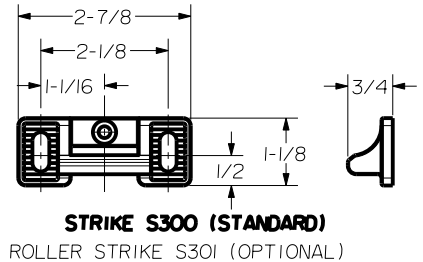


DEVICES	TRIMS	HOLE (2) PLS A	HOLE B
5201.FL5201	EXIT ONLY	#10-24 TAP INSIDE ONLY	NO
5203.FL5203	CYL ONLY		1-3/16 DIA OUTSIDE 1-3/8 DIA INSIDE
5201.FL5201	501	5/16 DIA. THRU	NO
5202.FL5202	602		1-3/8 DIA THRU
5203.FL5203	603		NO
5202.FL5202	702		NO
5203.FL5203	703		1-3/8 DIA THRU

LOCK STILE MACHINING



PREPARE THESE HOLES AT DEVICE INSTALLATION (MOUNTING BRACKET)



DRILL & TAP FOR 1/4-20 SCREWS (2) PLS FOR SEXBOLTS
 9/32 DIA. INSIDE
 3/8 DIA OUTSIDE

NOTE: FITS STOCK DOORS WITH ANSI A115.17 (161) AND ANSI A115.18 CUT-OUTS. REQUIRE TRIM THRU BOLT HOLES AT DEVICE INSTALLATION.

LBR DEVICES:
 OMIT BOTTOM BOLT MACHINING.
 FIRE BOLT REQ'D FOR FL DEVICES
 SEE DRAWING 01297-II-000 FOR DETAILS

STANLEY
phi
 Precision Hardware
 a Division of Stanley Security Solutions, Inc.
 www.stanleysecuritysolutions.com

DEVICE SERIES		TRIM SERIES	
5200, FL5200, 5200LBR, FL5200LBR		EXIT ONLY, CYL ONLY 501, 602, 603, 702, 703	
STRIKE NO.	RELEASED DATE	TEMPLATE NO.	REV
S300, S301, S460	5/01/05	HM-5200A	C