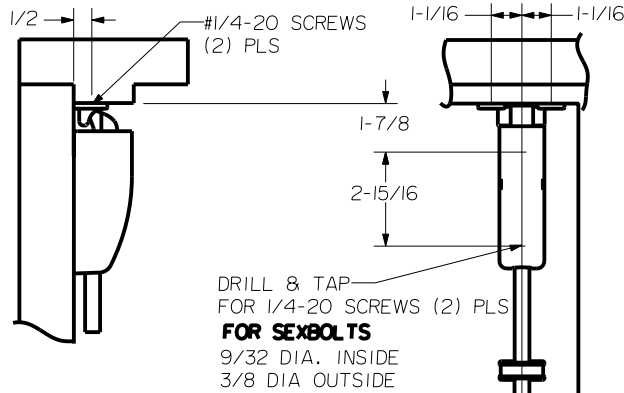


**REINFORCEMENT REQUIREMENTS**  
 PROVIDE ADEQUATE REINFORCEMENT TO METAL COVERED COMPOSITE AND HOLLOW METAL DOORS FOR THE DRILLING AND TAPPING OF THE MACHINE SCREWS.

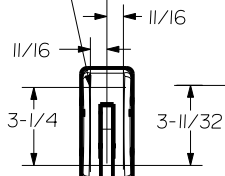
**SEX NUTS AND BOLTS**  
 SEX BOLTS ARE REQUIRED FOR PLASTIC, WOOD, METAL COVERED COMPOSITE AND HOLLOW METAL DOORS WITHOUT REINFORCEMENT

**SEX BOLT MACHINING**  
 HOLE "A" (4) PLS AND INACTIVE CASE  
 DRILL 1/4 DIA. INSIDE  
 DRILL 3/8 DIA. OUTSIDE



DRILL AND TAP #10-24 SCREW (4 PLS - INACTIVE CASE)

CENTER DISTANCE BETWEEN CASES 5-1/2 LESS THAN DOOR LEAF WIDTH



RHR SHOWN - FOR LHR REVERSE STILE MACHINING

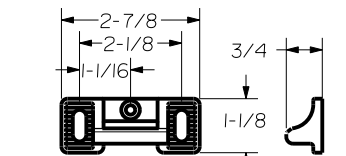
HORIZONTAL CENTERLINE FOR DEVICE

VERTICAL CENTERLINE

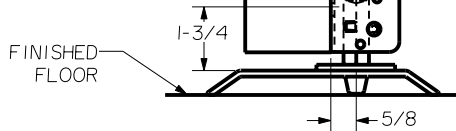
2-3/4 OR CENTERED ON EXPOSED LOCK STILE

DOOR EDGE

DRILL & TAP FOR 1/4-20 SCREWS (2) PLS FOR SEXBOLTS 9/32 DIA. INSIDE 3/8 DIA OUTSIDE



**STRIKE S300 (STANDARD)**  
 ROLLER STRIKE S30I (OPTIONAL)

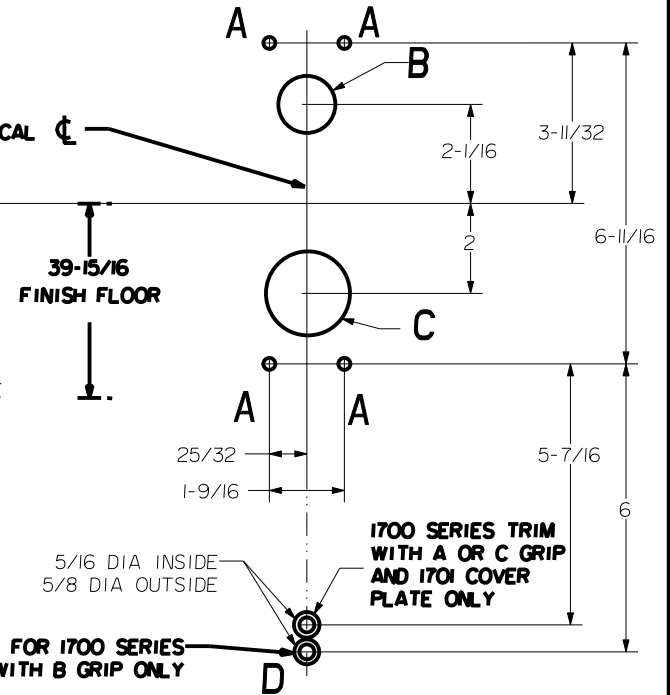


**THRESHOLD APPLICATION**

STRIKE S460

HOLE (4) PLS A	DEVICES	TRIMS	HOLE B	HOLE C
#10-24 TAP INSIDE ONLY	201.FL201	EXIT ONLY	NO	NO
	203.FL203	CYL ONLY	1-3/8 DIA INSIDE 1-3/16 DIA OUTSIDE	
1/4 DIA INSIDE 3/8 DIA OUTSIDE	201.FL201	1701,4901	NO	1-3/4 DIA THRU DOOR
	202.FL202	1702,4902		
	203.FL203	1703,4903		
	205.FL205	Y1705		
	208.FL208	4908,VY4908		
	214.FL214	Y4914		1-3/4 DIA THRU DOOR
	215.FL215	Y1715	NO	

**LOCK STILE MACHINING**




FOR 1700 SERIES TRIM WITH B GRIP ONLY

1700 SERIES TRIM WITH A OR C GRIP AND 1701 COVER PLATE ONLY

NOTE: "LETTER" AT END OF TRIM MODEL NO. DESIGNATES LEVER OR GRIP STYLE. EXCEPT AS NOTED, LEVER OR GRIP STYLE HAS NO EFFECT ON STILE MACHINING.

**LBR DEVICES:**  
 OMIT BOTTOM BOLT MACHINING.  
 FIRE BOLT REQ'D FOR FL DEVICES  
 SEE DRAWING 01297-II-000 FOR DETAILS

 <b>Precision Hardware</b> a Division of Stanley Security Solutions, Inc. <a href="http://www.stanleysecuritysolutions.com">www.stanleysecuritysolutions.com</a>			
DEVICE SERIES		TRIM SERIES	
200, FL200, 200LBR, FL200LBR		EXIT ONLY, CYL ONLY, 1700,4900	
STRIKE NO.	RELEASED DATE	TEMPLATE NO.	REV
S300, S30I, S460	5/01/05	HM-200A	C