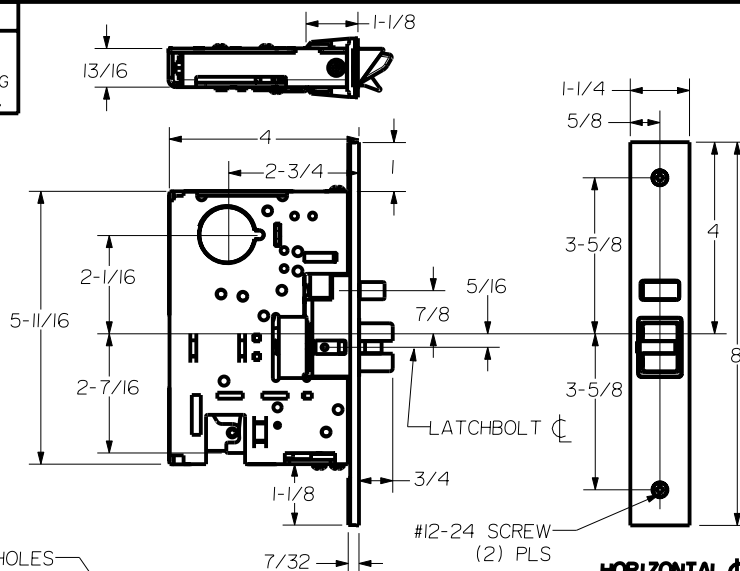


**REINFORCEMENT REQUIREMENTS**  
 PROVIDE ADEQUATE REINFORCEMENT TO METAL COVERED COMPOSITE AND HOLLOW METAL DOORS FOR THE DRILLING AND TAPPING FOR THE MACHINE SCREWS.

**SEX NUTS AND BOLTS**  
 SEX BOLTS ARE REQUIRED FOR PLASTIC, WOOD, METAL COVERED COMPOSITE AND HOLLOW METAL DOORS WITHOUT REINFORCEMENT

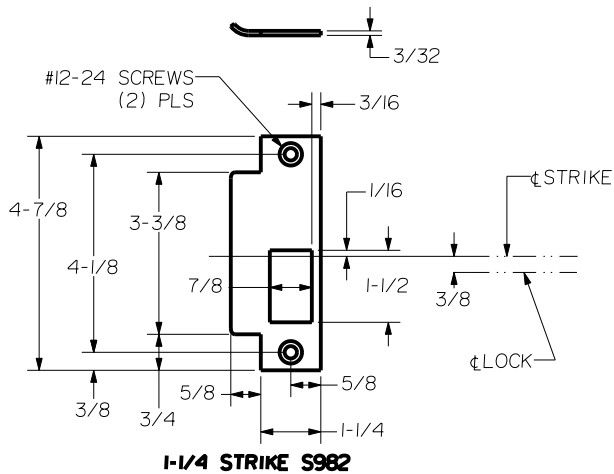
**SEX BOLT MACHINING**  
 DRILL 1/4 DIA. INSIDE  
 DRILL 3/8 DIA. OUTSIDE



PREPARE THESE HOLES AT DEVICE INSTALLATION

HORIZONTAL CL FOR DEVICE AND LOCK

RHR SHOWN - FOR LHR REVERSE STILE MACHINING

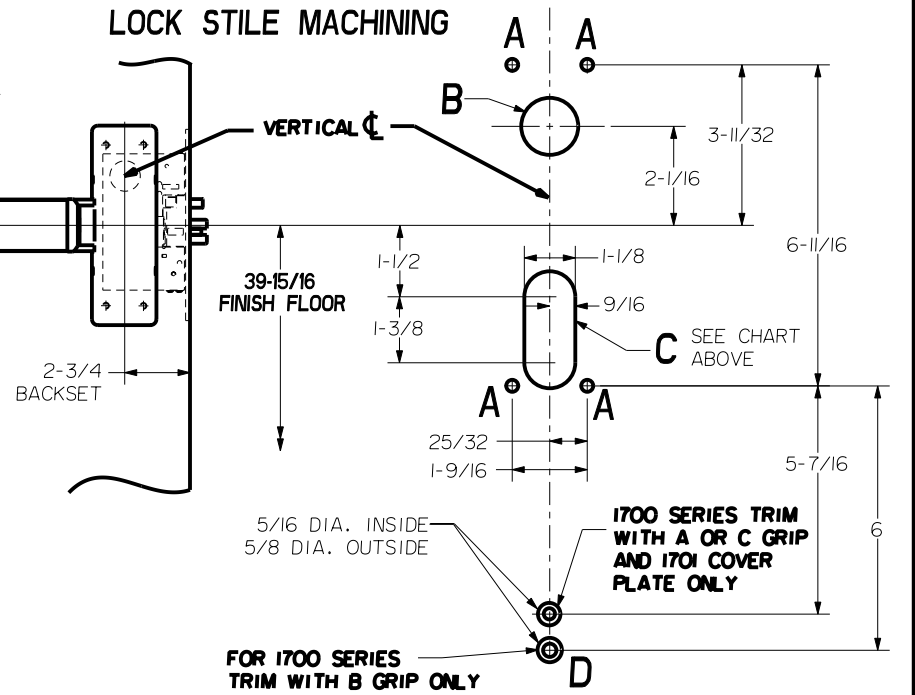


**1-1/4 STRIKE S982**

NOTE:  
 "LETTER" AT END OF TRIM MODEL NO. DESIGNATES LEVER OR GRIP STYLE. EXCEPT AS NOTED, LEVER OR GRIP STYLE HAS NO EFFECT ON STILE MACHINING.

**S985,S984 OPTIONAL OPEN BACK STRIKES  
 SEE TEMPLATE NUMBER HM-S985**

HOLE (4) PLS	A	DEVICES	TRIMS	HOLE B	HOLE C
#10-24 TAP INSIDE ONLY		2301.FL2301	EXIT ONLY	NO	SLOT INSIDE ONLY
		2303.FL2303	CYL ONLY	1-3/16 DIA OUTSIDE	
1/4 DIA INSIDE 3/8 DIA OUTSIDE		2301.FL2301	1701,4901	NO	SLOT THRU DOOR
		2302.FL2302	1702,4902		
		2303.FL2303	1703, M4903		
		E2303.FLE2303	M4908,VM4908	1-3/8 DIA OUTSIDE ONLY	
		2305.FL2305	MI705		
		2308.FL2308	M4908	1-3/8 DIA THRU DOOR	
		2310.FL2310	MV4908		
		2314.FL2314	M4914	NO	
2315.FL2315	MI715				



		<b>Precision Hardware</b> a Division of Stanley Security Solutions, Inc. <a href="http://www.stanleysecuritysolutions.com">www.stanleysecuritysolutions.com</a>	
DEVICE SERIES		TRIM SERIES	
2300, FL2300		EXIT ONLY, CYL ONLY, 1700,4900	
STRIKE NO.	RELEASED DATE	TEMPLATE NO.	REV
S982	5/01/05	HM-2300A	C