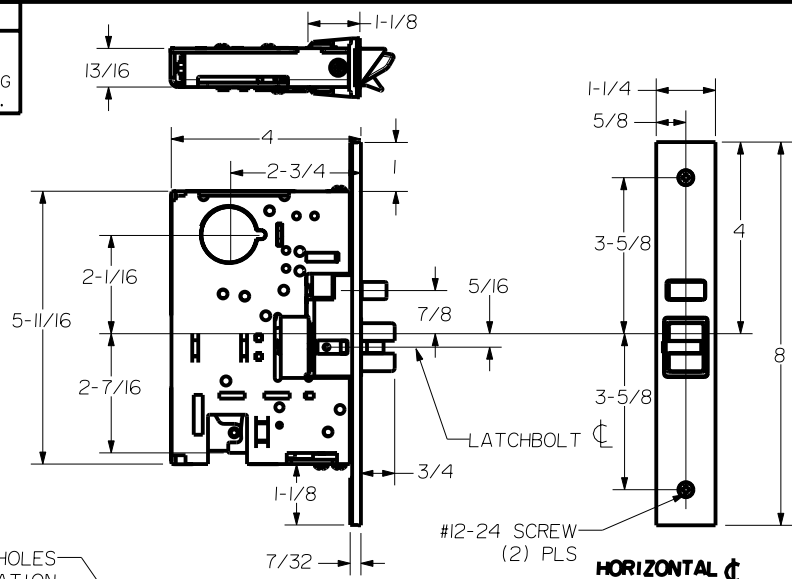


**REINFORCEMENT REQUIREMENTS**  
 PROVIDE ADEQUATE REINFORCEMENT TO METAL COVERED COMPOSITE AND HOLLOW METAL DOORS FOR THE DRILLING AND TAPPING FOR THE MACHINE SCREWS.

**SEX NUTS AND BOLTS**  
 SEX BOLTS ARE REQUIRED FOR PLASTIC, WOOD, METAL COVERED COMPOSITE AND HOLLOW METAL DOORS WITHOUT REINFORCEMENT

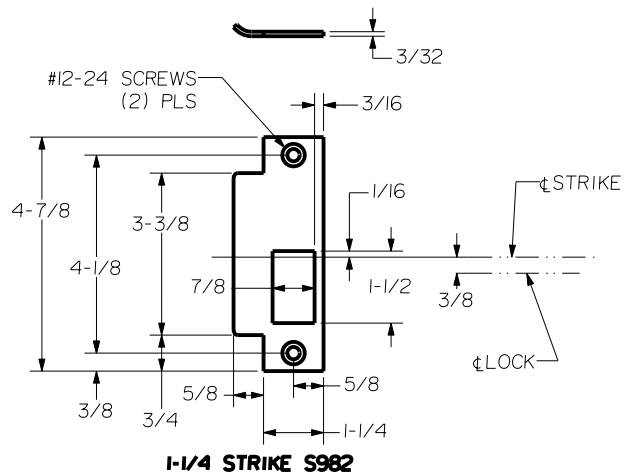
**SEX BOLT MACHINING**  
 DRILL 1/4 DIA. INSIDE  
 DRILL 3/8 DIA. OUTSIDE



| DEVICES     | TRIMS | HOLE B<br>1-3/8 DIA.<br>THRU DOOR | SLOT C      | DI                                |
|-------------|-------|-----------------------------------|-------------|-----------------------------------|
| 2301.FL2301 | 2001  | NO                                | INSIDE ONLY | 3/8 DIA OUTSIDE<br>1/4 DIA INSIDE |
| 2302.FL2302 | 2002  |                                   |             |                                   |
| 2303.FL2303 | 2003  |                                   |             |                                   |
| 2305.FL2305 | M2005 | YES                               | THRU DOOR   | NO                                |
| 2315.FL2315 | M2015 | NO                                |             |                                   |

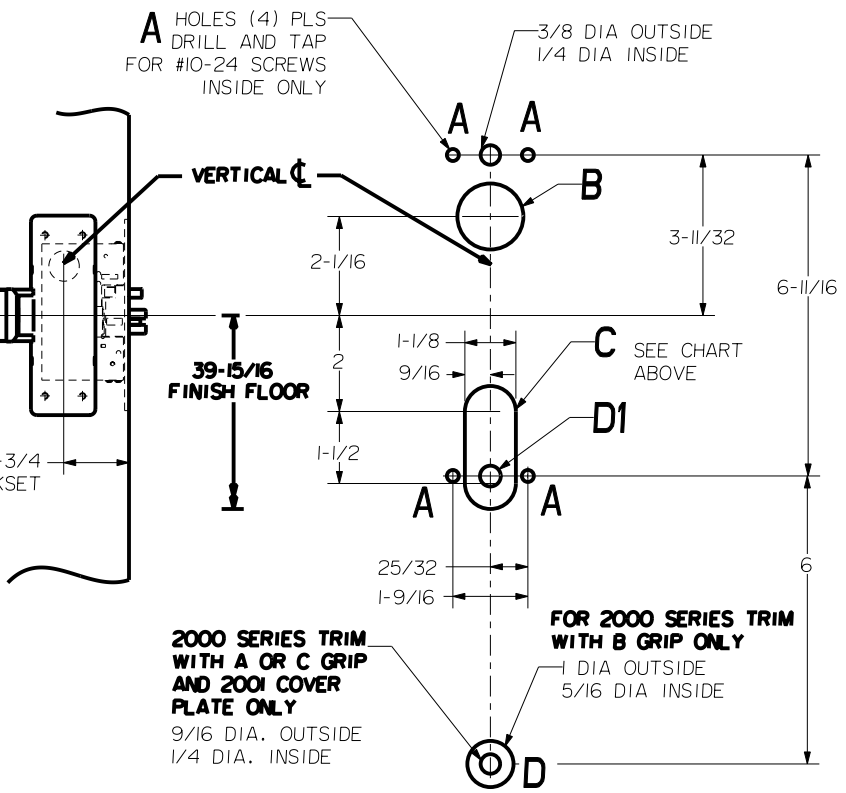
PREPARE THESE HOLES AT DEVICE INSTALLATION

RHR SHOWN - FOR LHR REVERSE STILE MACHINING




1-1/4 STRIKE S982

**LOCK STILE MACHINING**



NOTE:  
 "LETTER" AT END OF TRIM MODEL NO. DESIGNATES GRIP STYLE. EXCEPT AS NOTED, GRIP STYLE HAS NO EFFECT ON STILE MACHINING.

S985, S984 OPTIONAL OPEN BACK STRIKES  
 SEE TEMPLATE NUMBER HM-S985

|  <b>Precision Hardware</b><br>a Division of Stanley Security Solutions, Inc.<br><a href="http://www.stanleysecuritysolutions.com">www.stanleysecuritysolutions.com</a> |               |              |     |
|---|---------------|--------------|-----|
| DEVICE SERIES   |               | TRIM SERIES  |     |
| 2300, FL2300  |               | 2000         |     |
| STRIKE NO.  | RELEASED DATE | TEMPLATE NO. | REV |
| S982  | 5/01/05       | HM-2300B     | C   |