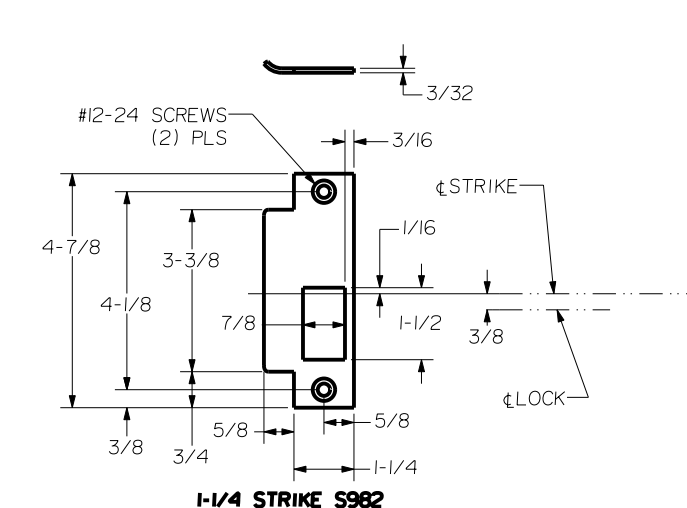
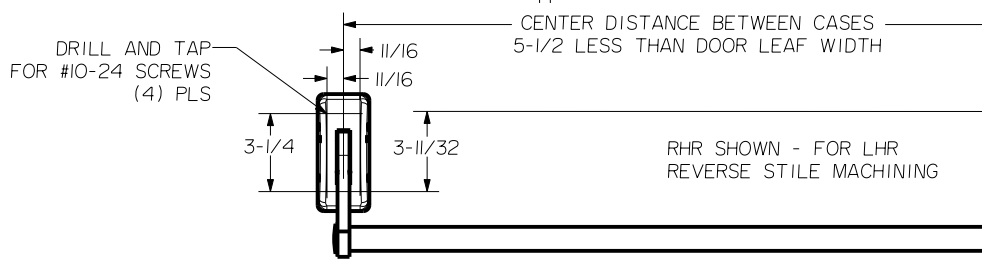
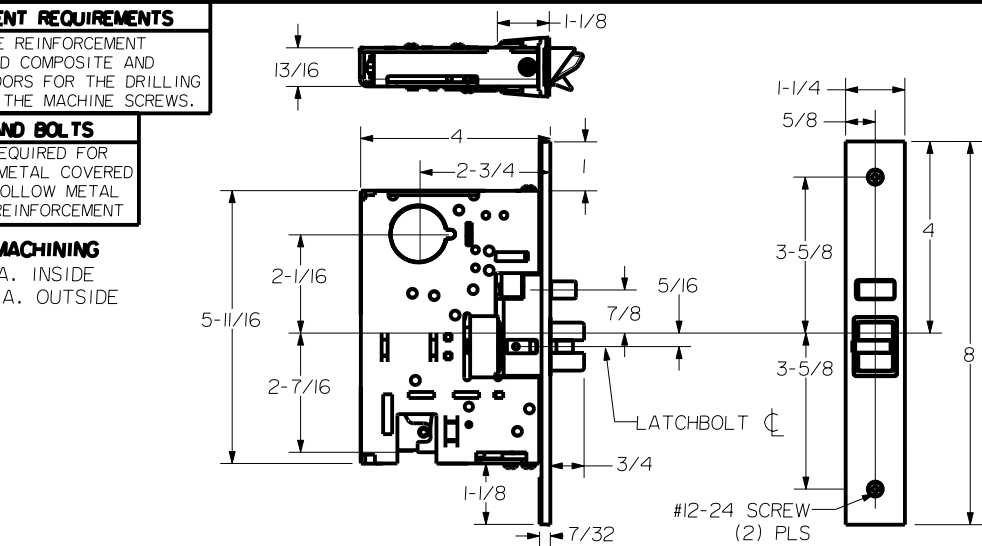


**REINFORCEMENT REQUIREMENTS**  
 PROVIDE ADEQUATE REINFORCEMENT TO METAL COVERED COMPOSITE AND HOLLOW METAL DOORS FOR THE DRILLING AND TAPPING FOR THE MACHINE SCREWS.

**SEX NUTS AND BOLTS**  
 SEX BOLTS ARE REQUIRED FOR PLASTIC, WOOD, METAL COVERED COMPOSITE AND HOLLOW METAL DOORS WITHOUT REINFORCEMENT

**SEX BOLT MACHINING**  
 DRILL 1/4 DIA. INSIDE  
 DRILL 3/8 DIA. OUTSIDE



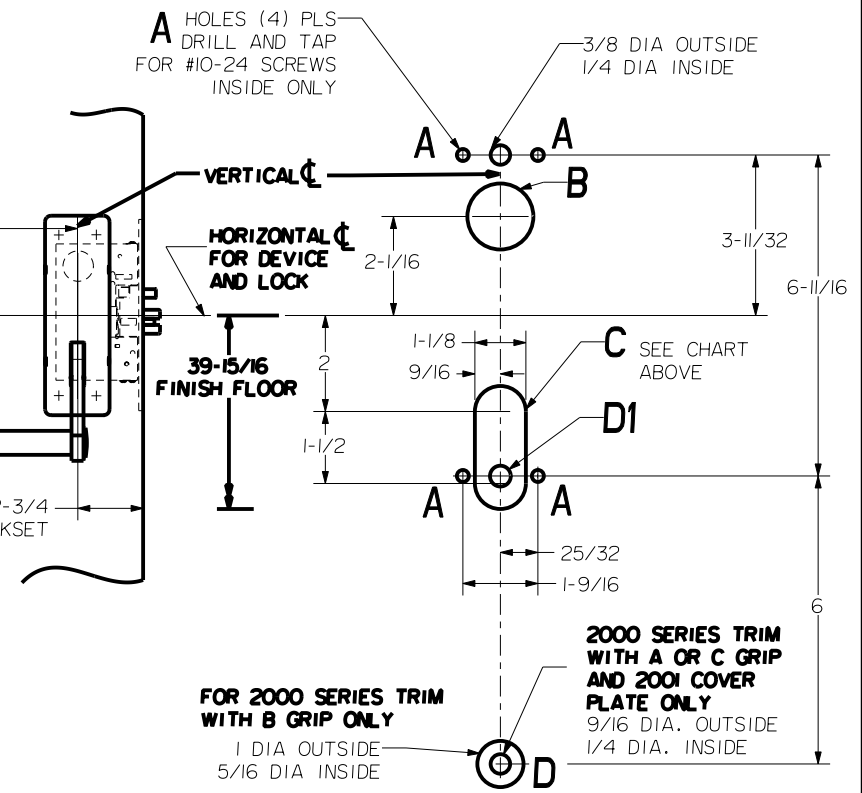
**1-1/4 STRIKE S982**


NOTE:  
 "LETTER" AT END OF TRIM MODEL NO. DESIGNATES GRIP STYLE. EXCEPT AS NOTED GRIP STYLE HAS NO EFFECT ON STILE MACHINING.

S985,S984 OPTIONAL OPEN BACK STRIKES  
 SEE TEMPLATE NUMBER HM-S985

| DEVICES   | TRIMS | HOLE B<br>1-3/8 DIA.<br>THRU DOOR | SLOT C      | D1              |
|-----------|-------|-----------------------------------|-------------|-----------------|
| 301.FL301 | 2001  | NO                                | INSIDE ONLY | 3/8 DIA OUTSIDE |
| 302.FL302 | 2002  |                                   |             |                 |
| 303.FL303 | 2003  |                                   |             |                 |
| 305.FL305 | M2005 | YES                               | THRU DOOR   | NO              |
| 315.FL315 | M2015 | NO                                |             |                 |

**LOCK STILE MACHINING**



|  <b>Precision Hardware</b><br>a Division of Stanley Security Solutions, Inc.<br><a href="http://www.stanleysecuritysolutions.com">www.stanleysecuritysolutions.com</a> |               |              |     |
|---|---------------|--------------|-----|
| DEVICE SERIES   |               | TRIM SERIES  |     |
| 300, FL300  |               | 2000         |     |
| STRIKE NO.  | RELEASED DATE | TEMPLATE NO. | REV |
| S982  | 5/01/05       | HM-300B      | C   |