

REINFORCEMENT REQUIREMENTS
 PROVIDE ADEQUATE REINFORCEMENT TO METAL COVERED COMPOSITE AND HOLLOW METAL DOORS FOR THE DRILLING AND TAPPING FOR THE MACHINE SCREWS.

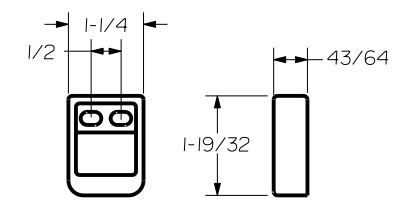
SEX NUTS AND BOLTS
 SEX BOLTS ARE REQUIRED FOR PLASTIC, WOOD, METAL COVERED COMPOSITE AND HOLLOW METAL DOORS WITHOUT REINFORCEMENT

SEX BOLT MACHINING
 DRILL 1/4 DIA. INSIDE
 DRILL 3/8 DIA. OUTSIDE

LBR DEVICES:
 OPENING TO GO 8" BELOW
 HORIZONTAL ζ OF DEVICE

DOOR SKIN PLUS
 REINFORCEMENT - 5/32 MAX

NOTCH THRU INSIDE
 FACE 1-5/8 DEEP

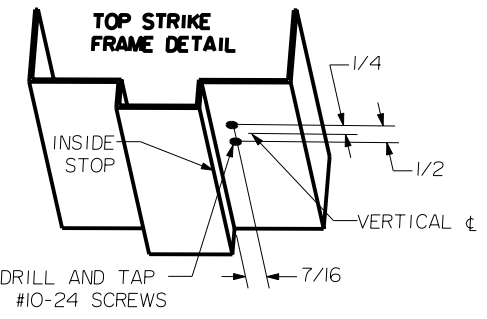


S519 TOP STRIKE
 (SURFACE APPLIED)

PREPARE THESE HOLES AT DEVICE
 INSTALLATION

HORIZONTAL ζ
 FOR DEVICE

RHR SHOWN - FOR LHR
 REVERSE STILE MACHINING



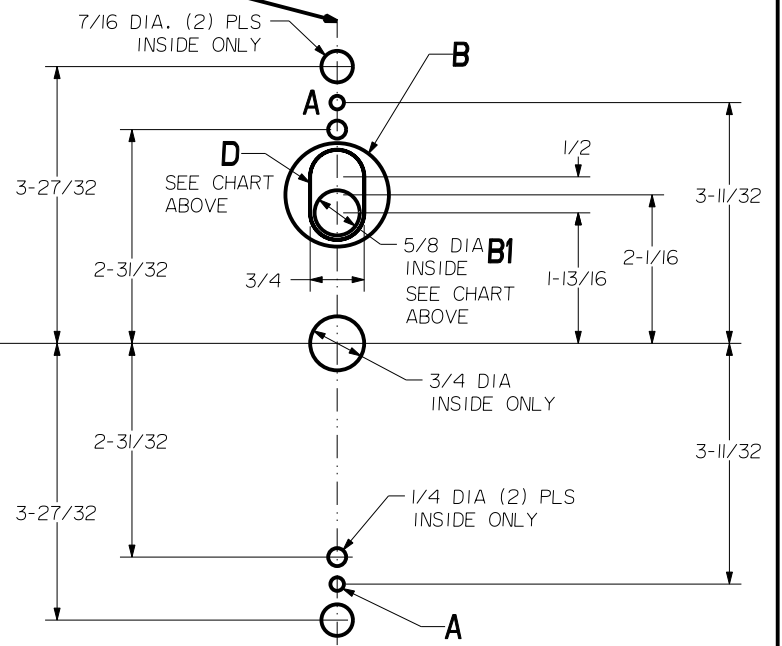
NOTE: "LETTER" AT END OF TRIM MODEL NO.
 DESIGNATES LEVER STYLE. EXCEPT AS NOTED.
 LEVER STYLE HAS NO EFFECT ON STILE MACHINING.

LBR DEVICES:
 OMIT BOTTOM BOLT MACHINING.
 FIRE BOLT REQ'D FOR FL DEVICES
 SEE DRAWING O297-II-000 FOR DETAILS

HOLE (2) PLS A	DEVICES	TRIMS	HOLE B	HOLE B1	SLOT D
#10-24 TAP INSIDE ONLY	260I.FL260I	EXIT ONLY	NO	NO	NO
	2603.FL2603	CYL ONLY	1-3/16 DIA. OUTSIDE		3/4 SLOT INSIDE
1/4 DIA INSIDE 13/32 DIA OUTSIDE	260I.FL260I	2901	NO	YES	NO
	2602.FL2602	2902			
	2603.FL2603	2903	1-7/16 DIA OUTSIDE		

VERTICAL ζ

LOCK STILE MACHINING



39-15/16
 FINISHED FLOOR

7/32 DIA
 INSIDE ONLY

STRIKE
 S460

FINISHED
 FLOOR

ACCOMMODATES 1/4
 TO 3/4 GAP

2-5/8

3/4

		Precision Hardware a Division of Stanley Security Solutions, Inc. www.stanleysecuritysolutions.com	
DEVICE SERIES		TRIM SERIES	
2600, FL2600 2600LBR, FL2600LBR		EXIT ONLY, CYL ONLY, 2901, 2902, 2903	
STRIKE NO.	RELEASED DATE	TEMPLATE NO.	REV
S519, S460	5/01/05	HM-2600A	C