

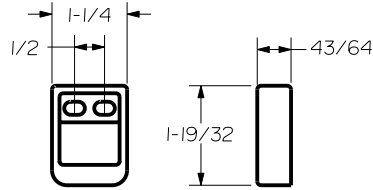
REINFORCEMENT REQUIREMENTS
 PROVIDE ADEQUATE REINFORCEMENT TO METAL COVERED COMPOSITE AND HOLLOW METAL DOORS FOR THE DRILLING AND TAPPING FOR THE MACHINE SCREWS.

SEX NUTS AND BOLTS
 SEX BOLTS ARE REQUIRED FOR PLASTIC, WOOD, METAL COVERED COMPOSITE AND HOLLOW METAL DOORS WITHOUT REINFORCEMENT

SEX BOLT MACHINING
 DRILL 1/4 DIA. INSIDE
 DRILL 3/8 DIA. OUTSIDE

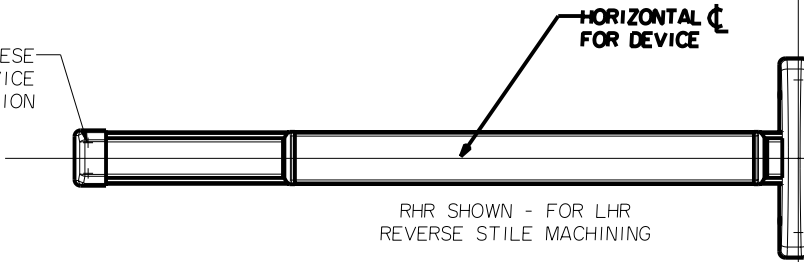
**LBR DEVICES:
 OPENING TO GO 8" BELOW
 HORIZONTAL CL OF DEVICE**

DOOR SKIN PLUS
 REINFORCEMENT - 5/32 MAX.

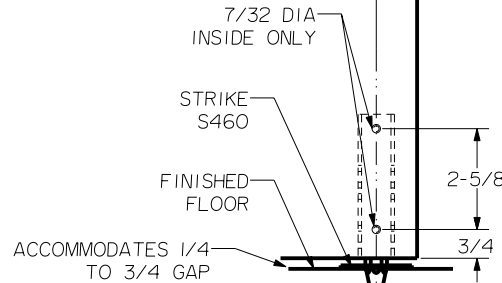
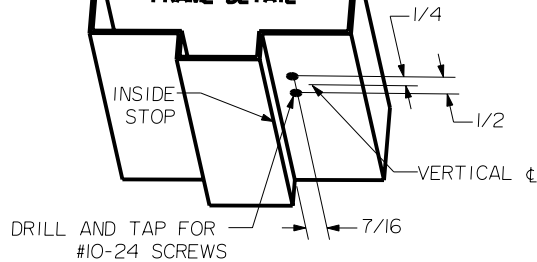


S519 TOP STRIKE
 (SURFACE APPLIED)

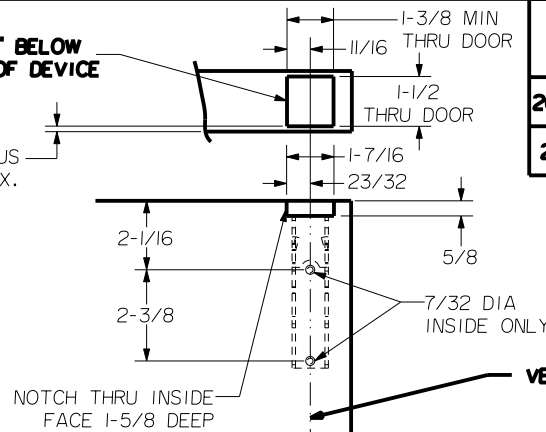
PREPARE THESE HOLES AT DEVICE INSTALLATION



TOP STRIKE FRAME DETAIL

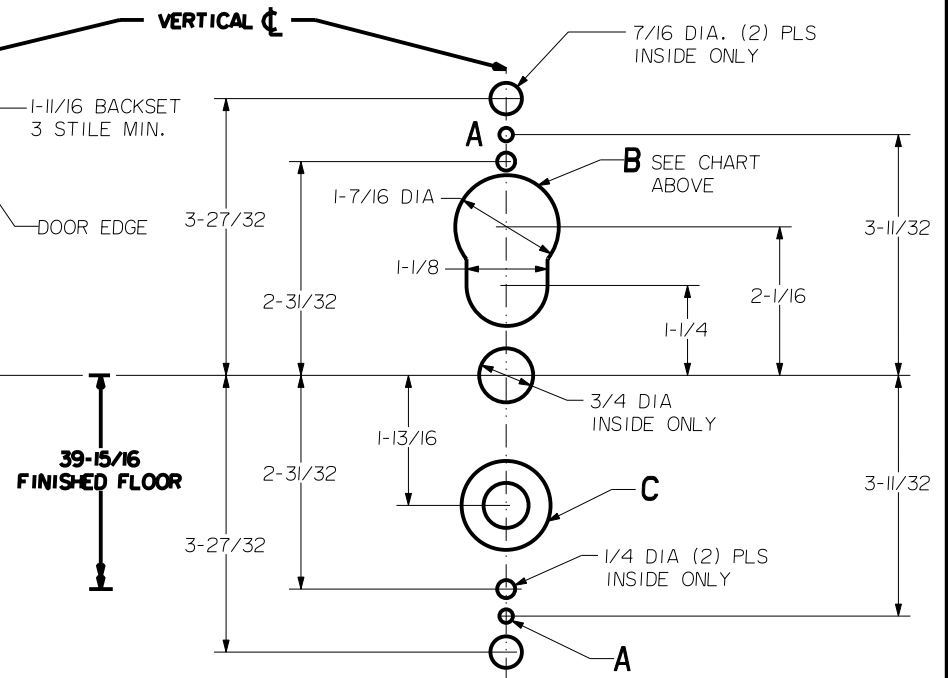


**LBR DEVICES:
 OMIT BOTTOM BOLT MACHINING.
 FIRE BOLT REQ'D FOR FL DEVICES
 SEE DRAWING O297-II-000 FOR DETAILS**



DEVICES	TRIMS	HOLE (2) PLS A	HOLE B	HOLE C
2608.FL2608	2908	1/4 DIA INSIDE 13/32 DIA OUTSIDE	OUTSIDE ONLY	5/8 DIA INSIDE 1-3/8 DIA OUTSIDE
2614.FL2614	2914		NOT REQ'D	

LOCK STILE MACHINING



NOTE: "LETTER" AT END OF TRIM MODEL NO. DESIGNATES LEVER STYLE. EXCEPT AS NOTED, LEVER STYLE HAS NO EFFECT ON STILE MACHINING.

		Precision Hardware a Division of Stanley Security Solutions, Inc. www.stanleysecuritysolutions.com	
DEVICE SERIES		TRIM SERIES	
2600, FL2600 2600LBR, FL2600LBR		2908, 2914	
STRIKE NO.	RELEASED DATE	TEMPLATE NO.	REV
S519, S460	5/01/05	HM-2600B	C