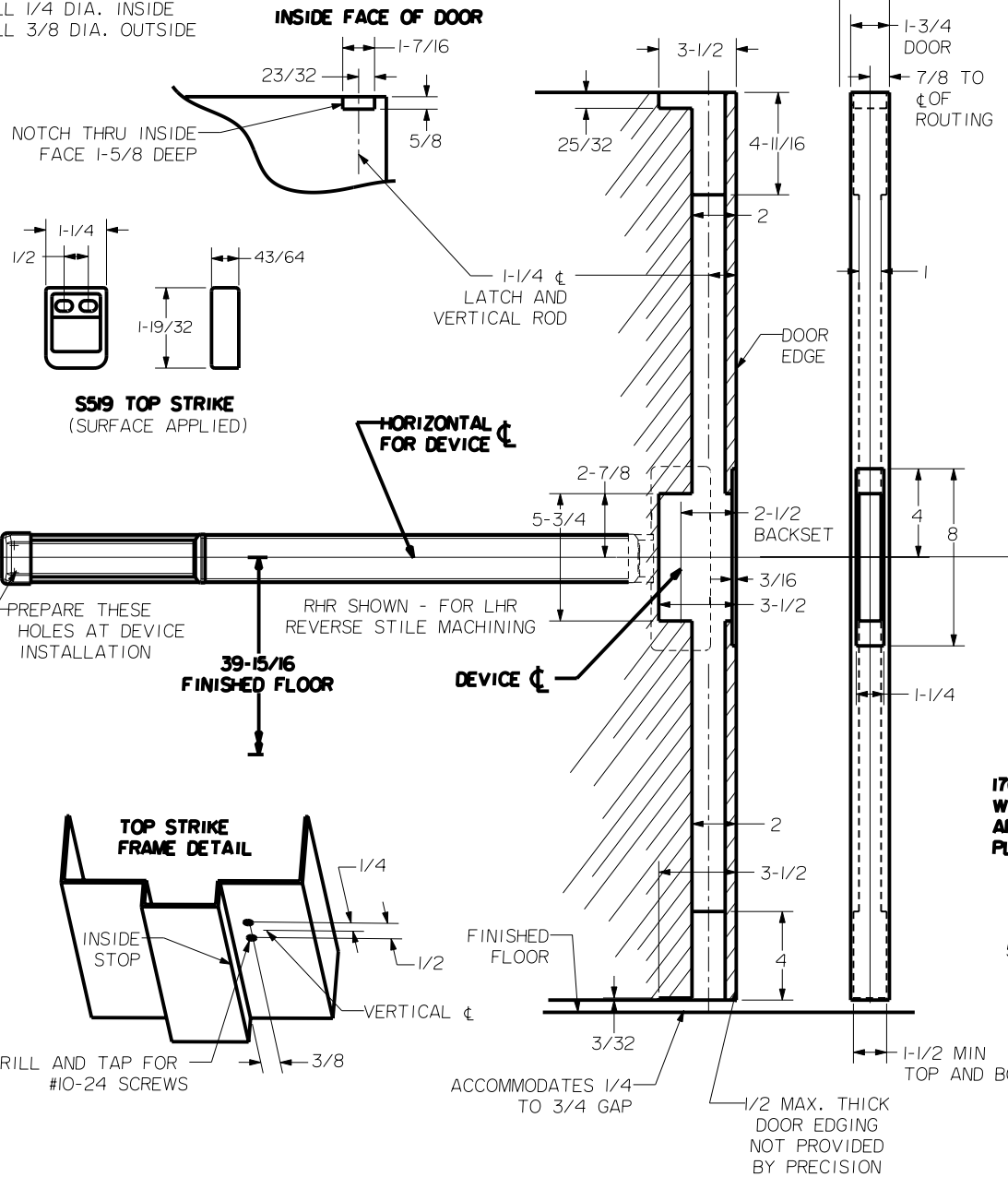
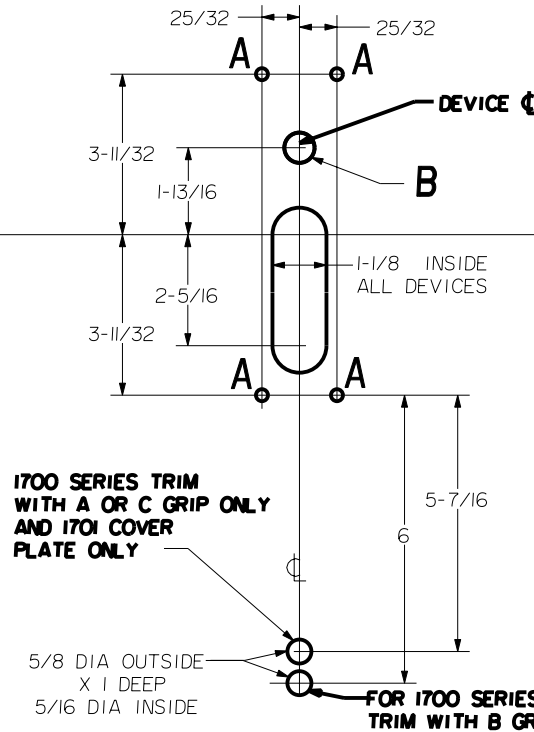


SEX BOLT MACHINING
 DRILL 1/4 DIA. INSIDE
 DRILL 3/8 DIA. OUTSIDE

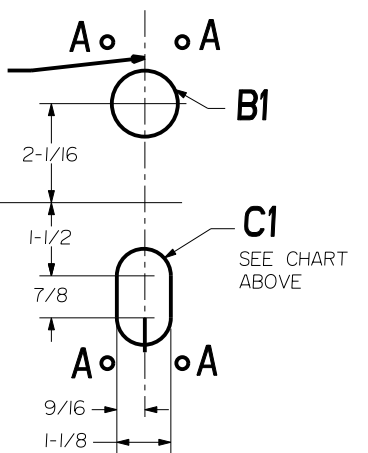


HOLE A (4) PLS	DEVICES	TRIMS	HOLE B	HOLE B1	HOLE C1
3/32 DIA. PILOT INSIDE ONLY	2701.FL2701	EXIT ONLY	NO	NO	NO
1/4 DIA INSIDE 3/8 DIA OUTSIDE X 1-3/8 DEEP	2701.FL2701 2702.FL2702 2703.FL2703 2705.FL2705 2708.FL2708 2714.FL2714 2715.FL2715	1701,4901 1702,4902 1703,4903 1705 4908,V4908 4914 1715			
			5/8 DIA INSIDE ONLY	1-3/8 DIA OUTSIDE ONLY	SLOT OUTSIDE ONLY
			NO	NO	

DEVICE SIDE MACHINING



TRIM SIDE MACHINING



NOTE: "LETTER" AT END OF TRIM MODEL NO. DESIGNATES LEVER OR GRIP STYLE. EXCEPT AS NOTED, LEVER OR GRIP STYLE HAS NO EFFECT ON STILE MACHINING.

Precision Hardware a Division of Stanley Security Solutions, Inc. www.stanleysecuritysolutions.com			
DEVICE SERIES		TRIM SERIES	
2700, FL2700		EXIT ONLY, 1700, 4900	
STRIKE NO.	RELEASED DATE	TEMPLATE NO.	REV
S519, S460	5/01/05	WD-2700A	D