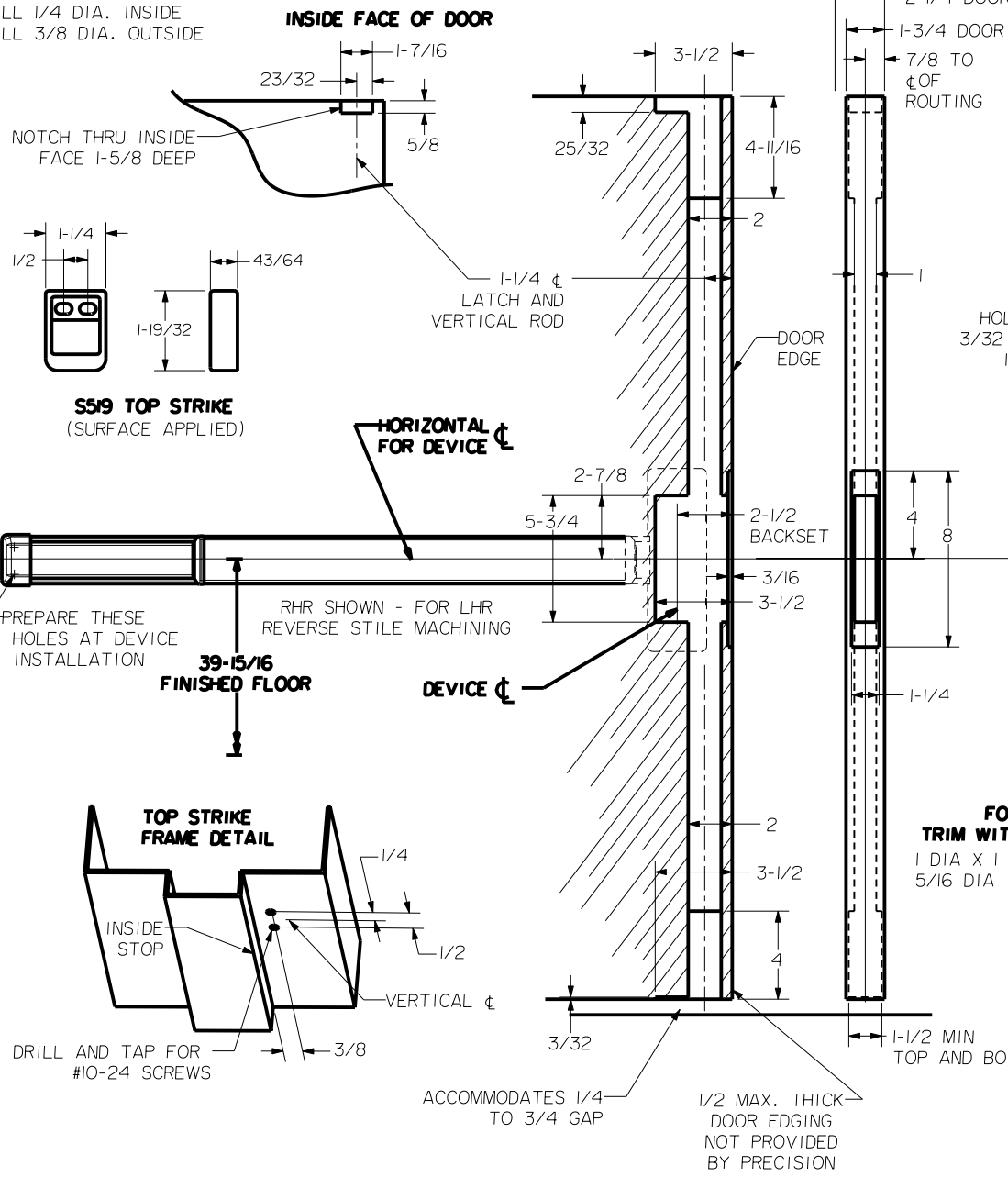
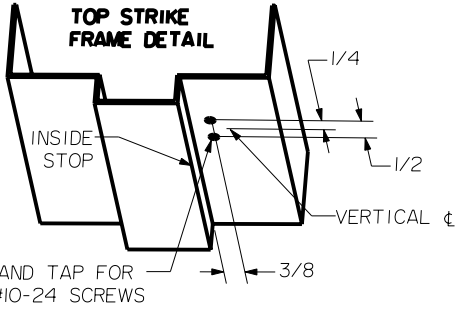
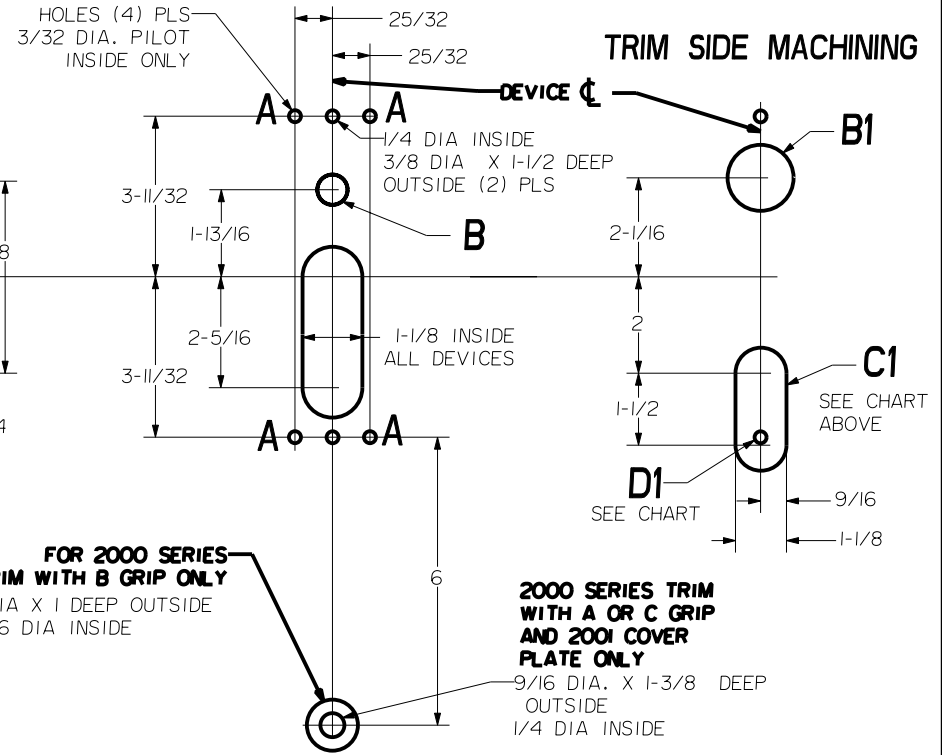


**SEX BOLT MACHINING**  
 DRILL 1/4 DIA. INSIDE  
 DRILL 3/8 DIA. OUTSIDE



DEVICES	TRIMS	HOLE B	HOLE B1	HOLE C1	HOLE D1
2701/FL2701	2001	NO	NO	NO	3/8 DIA THRU DOOR
2702/FL2702	2002				
2703/FL2703	2003				
2705/FL2705	2005	5/8 DIA INSIDE ONLY	1-3/8 DIA OUTSIDE ONLY	1-1/8 X 1-1/2 SLOT OUTSIDE X 5/8 DEEP	NO
2715/FL2715	2015	NO	NO		

**DEVICE SIDE MACHINING**



NOTE: "LETTER" AT END OF TRIM MODEL NO. DESIGNATES GRIP STYLE. EXCEPT AS NOTED, GRIP STYLE HAS NO EFFECT ON STILE MACHINING.

STANLEY <b>phi</b>		Precision Hardware a Division of Stanley Security Solutions, Inc. www.stanleysecuritysolutions.com	
DEVICE SERIES		TRIM SERIES	
2700, FL2700		2000	
STRIKE NO.	RELEASED DATE	TEMPLATE NO.	REV
S519, S460	5/01/05	WD-2700B	D