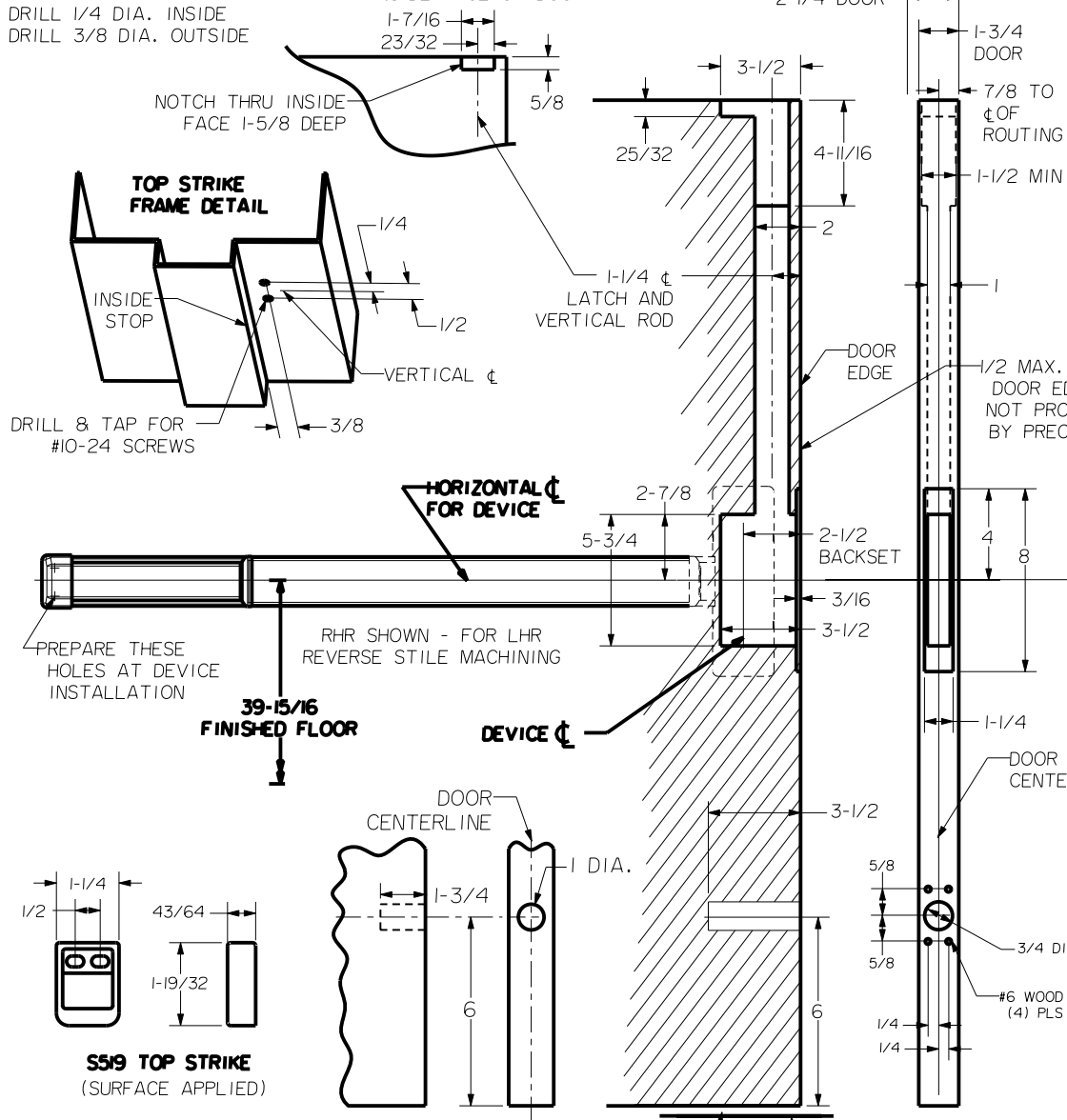


SEX BOLT MACHINING
 DRILL 1/4 DIA. INSIDE
 DRILL 3/8 DIA. OUTSIDE

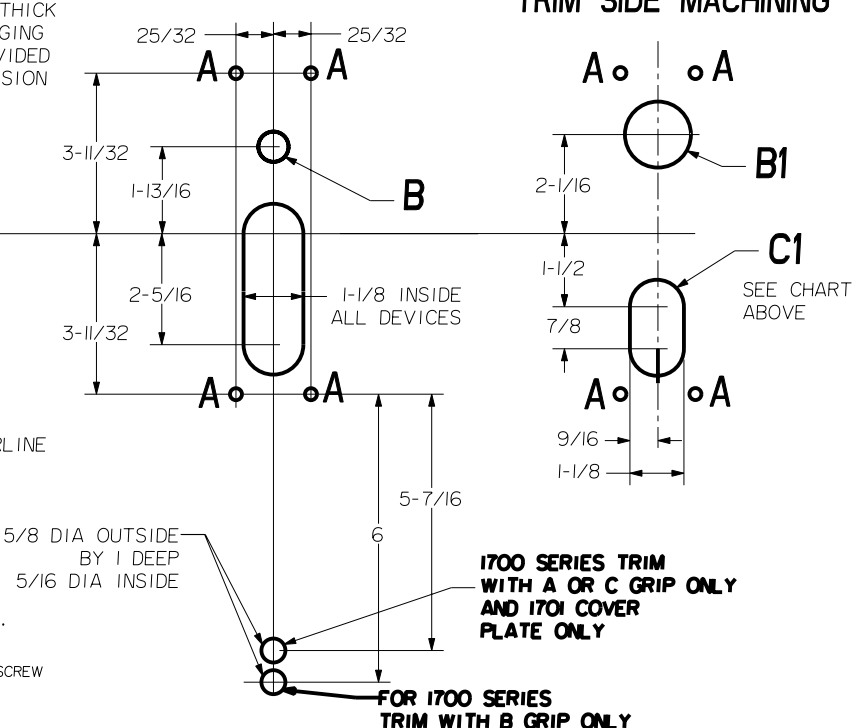
INSIDE FACE OF DOOR



HOLE A (4) PLS	DEVICES	TRIMS	HOLE B	HOLE B1	HOLE C1
3/32 DIA PILOT INSIDE ONLY	270LBR, FL270LBR	EXIT ONLY	NO	NO	NO
1/4 DIA INSIDE 3/8 DIA OUTSIDE X 1-3/8 DEEP	270LBR, FL270LBR	1701, 4901	5/8 DIA INSIDE ONLY	1-3/8 DIA OUTSIDE ONLY	SLOT OUTSIDE ONLY
	2702LBR, FL2702LBR	1702, 4902			
	2703LBR, FL2703LBR	1703, 4903			
	2705LBR, FL2705LBR	1705			
	2708LBR, FL2708LBR	4908, V4908			
	2714LBR, FL2714LBR	4914	NO	NO	
	2715LBR, FL2715LBR	1715			

DEVICE SIDE MACHINING

TRIM SIDE MACHINING



STANLEY
phi
Precision Hardware
 a Division of Stanley Security Solutions, Inc.
 www.stanleysecuritysolutions.com

DEVICE SERIES		TRIM SERIES	
2700LBR, FL2700LBR		EXIT ONLY, 1700, 4900	
STRIKE NO.	RELEASED DATE	TEMPLATE NO.	REV
S519	5/01/05	WD-2700LBR	D

NOTE: "LETTER" AT END OF TRIM MODEL NO. DESIGNATES LEVER OR GRIP STYLE. EXCEPT AS NOTED, LEVER OR GRIP STYLE HAS NO EFFECT ON STILE MACHINING.

FOR FIRE BOLT DIMENSIONS SEE DRAWING 01297-11-000