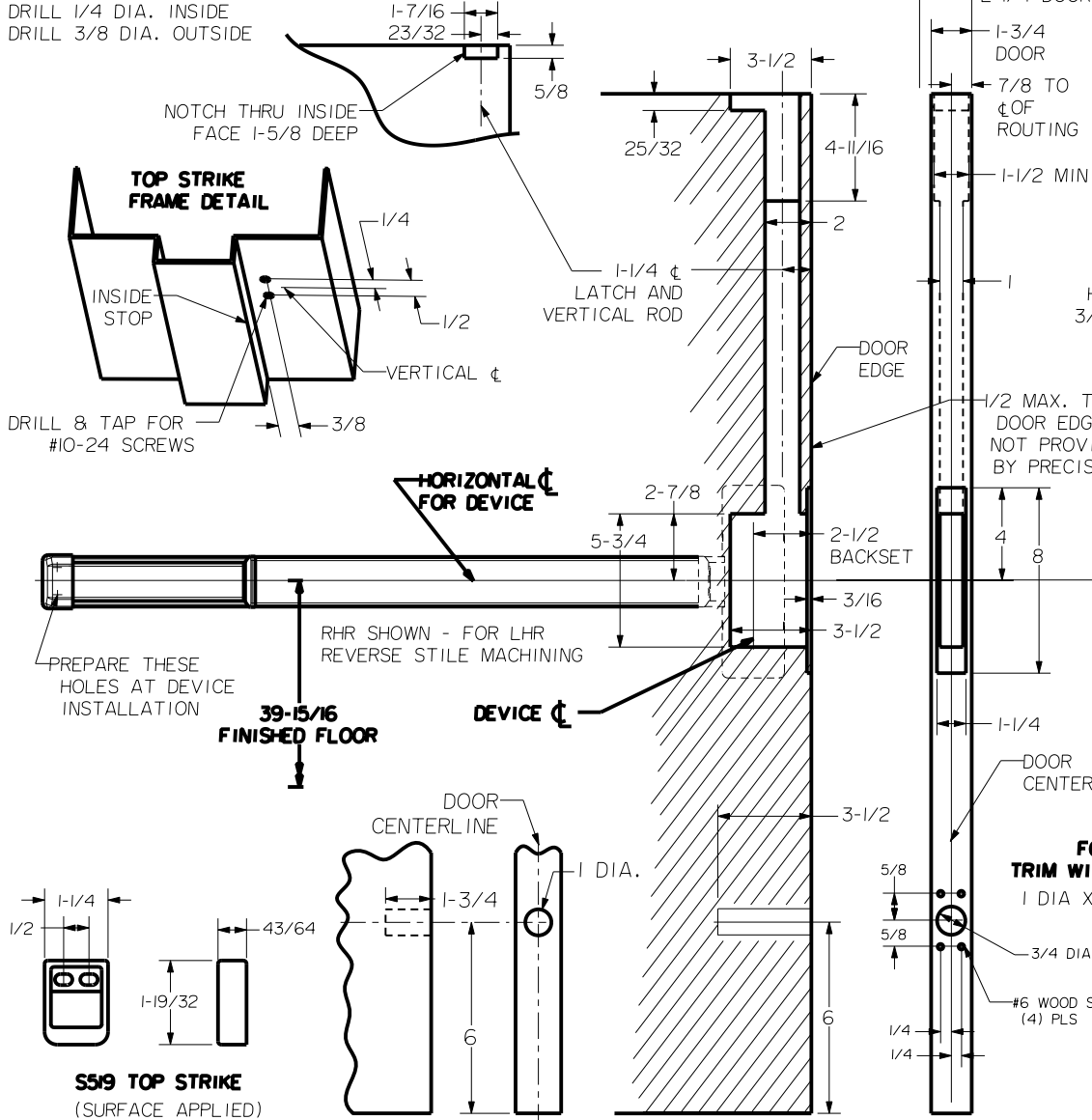


**SEX BOLT MACHINING**  
 DRILL 1/4 DIA. INSIDE  
 DRILL 3/8 DIA. OUTSIDE

**INSIDE FACE OF DOOR**



**S519 TOP STRIKE**  
 (SURFACE APPLIED)

STRIKE HOLE PLUG  
 FOR ACTIVE DOOR LEAF

ACCOMMODATES 1/4  
 TO 3/4 GAP

FIRE BOLT INSTALLATION  
 FOR FIRE RATED DEVICES ONLY

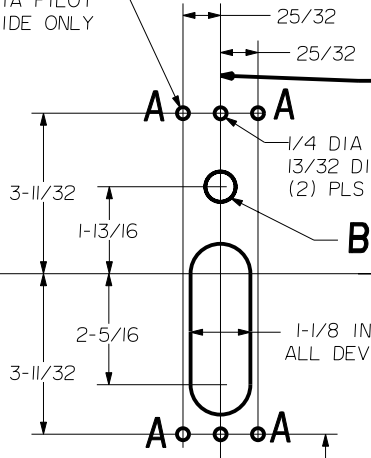
FOR FIRE BOLT DIMENSIONS  
 SEE DRAWING 01297-11-000

NOTE: "LETTER" AT END OF TRIM MODEL NO.  
 DESIGNATES GRIP STYLE. EXCEPT AS NOTED,  
 GRIP STYLE HAS NO EFFECT ON STILE MACHINING.

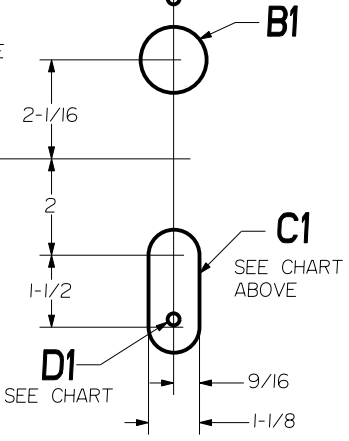
DEVICES	TRIMS	HOLE B	HOLE B1	HOLE C1	HOLE D1
2700LBR/FL2700LBR	2001	NO	NO	NO	3/8 DIA THRU DOOR
2702LBR/FL2702LBR	2002				
2703LBR/FL2703LBR	2003	5/8 DIA INSIDE ONLY	1-3/8 DIA OUTSIDE ONLY	1-1/8 X 1-1/2 SLOT OUTSIDE X 5/8 DEEP	NO
2705LBR/FL2705LBR	2005				
2715LBR/FL2715LBR	2015	NO	NO		

**DEVICE SIDE MACHINING**

HOLES (4) PLS  
 3/32 DIA PILOT  
 INSIDE ONLY



**TRIM SIDE MACHINING**



**FOR 2000 SERIES TRIM WITH B GRIP ONLY**

1 DIA X 1 DEEP OUTSIDE  
 5/16 DIA INSIDE

**2000 SERIES TRIM WITH A OR C GRIP AND 2001 COVER PLATE ONLY**  
 9/16 DIA. X 1-3/8 DEEP OUTSIDE  
 1/4 DIA INSIDE

STANLEY <b>phi</b>		Precision Hardware a Division of Stanley Security Solutions, Inc. www.stanleysecuritysolutions.com	
DEVICE SERIES		TRIM SERIES	
2700LBR, FL2700LBR		2000	
STRIKE NO.	RELEASED DATE	TEMPLATE NO.	REV
S519	5/01/05	WD-2700LBRB	D