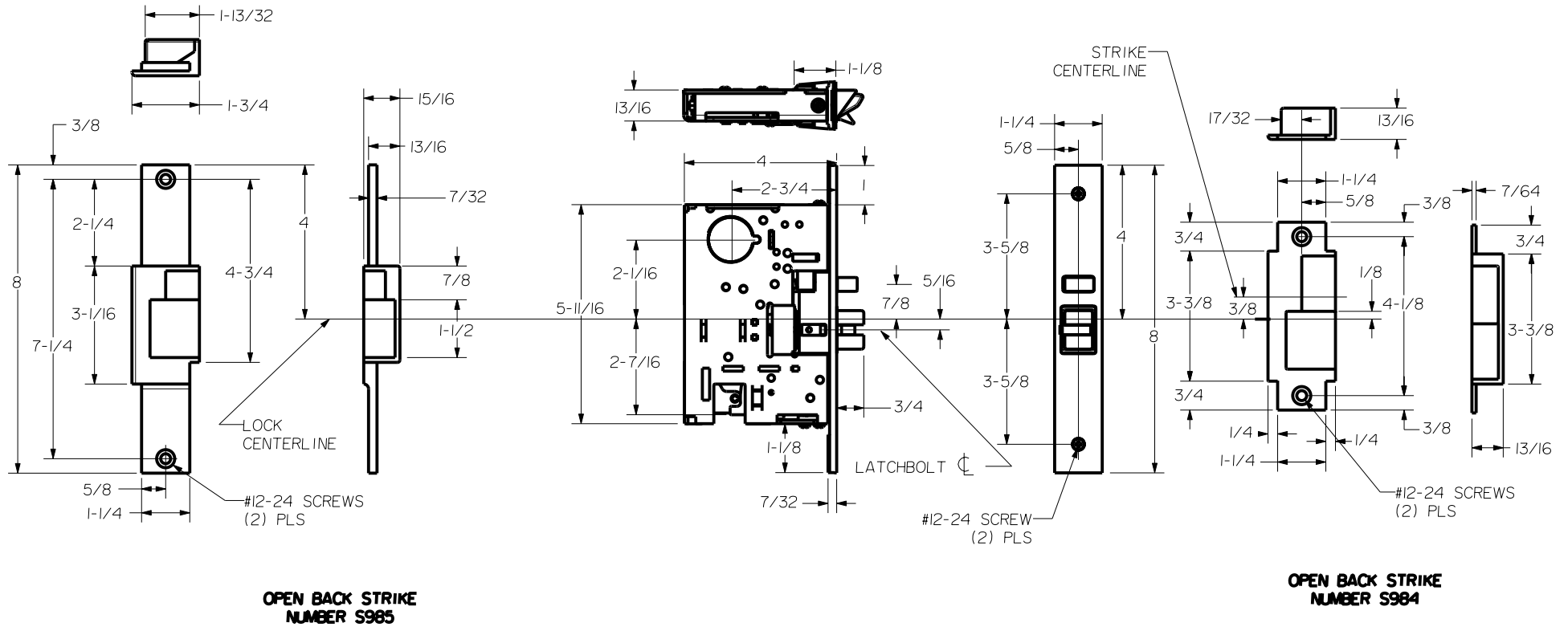




**REINFORCEMENT REQUIREMENTS**

PROVIDE ADEQUATE REINFORCEMENT TO METAL COVERED COMPOSITE AND HOLLOW METAL DOORS FOR THE DRILLING AND TAPPING FOR THE MACHINE SCREWS.



FOR LOCK STILE MACHINING SEE APPROPRIATE HOLLOW METAL TEMPLATE

		<b>Precision Hardware</b> a Division of Stanley Security Solutions, Inc. <a href="http://www.stanleysecuritysolutions.com">www.stanleysecuritysolutions.com</a>	
			
DEVICE SERIES		TRIM SERIES	
2300, FL2300, 300, FL300		N/A	
STRIKE NO.	RELEASED DATE	TEMPLATE NO.	REV
S985, S984	04/01/03	HM-S985	A