

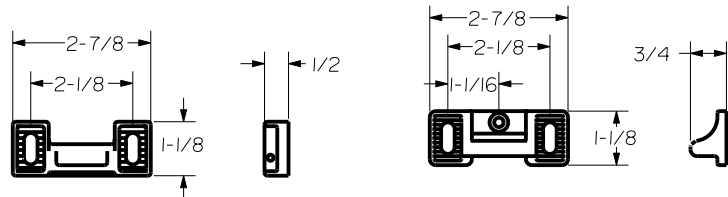
REINFORCEMENT REQUIREMENTS
 PROVIDE ADEQUATE REINFORCEMENT TO METAL COVERED COMPOSITE AND HOLLOW METAL DOORS FOR THE DRILLING AND TAPPING FOR THE MACHINE SCREWS.

SEX NUTS AND BOLTS
 SEX BOLTS ARE REQUIRED FOR PLASTIC, WOOD, METAL COVERED COMPOSITE AND HOLLOW METAL DOORS WITHOUT REINFORCEMENT

SEX BOLT MACHINING
 DRILL 1/4 DIA. INSIDE
 DRILL 3/8 DIA. OUTSIDE

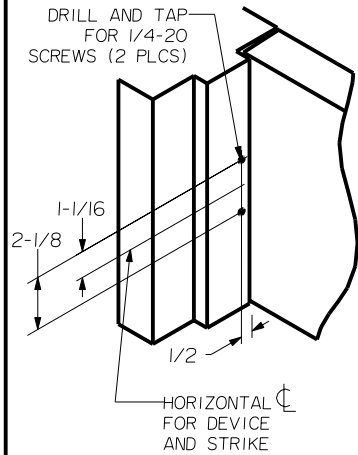
NOTE:
 "LETTER" AT END OF TRIM MODEL NO. DESIGNATES GRIP STYLE, EXCEPT AS NOTED, GRIP STYLE HAS NO EFFECT ON STILE MACHINING.

HOLE (2) PLS	A	DEVICES	TRIMS	HOLE B	HOLE C
1/4 DIA INSIDE 13/32 DIA OUTSIDE		240I,FL240I	2001	NO	NO
		2402,FL2402	2002		
		2403,FL2403	2003	1-3/8 DIA OUTSIDE	5/8 DIA. INSIDE

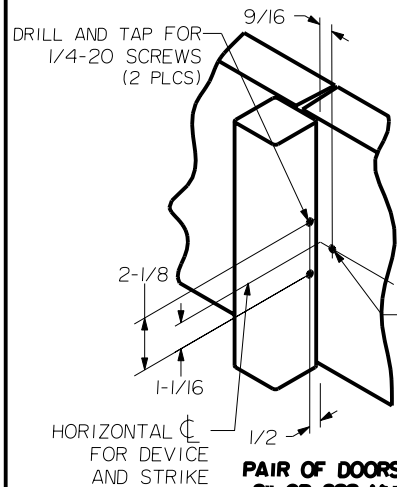


ROLLER STRIKE S458 (STANDARD)

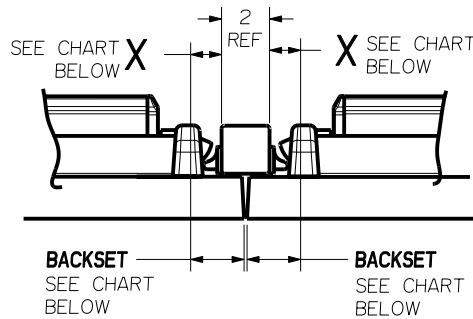
STRIKE S300 (OPTIONAL)
 ROLLER STRIKE S30I (OPTIONAL)



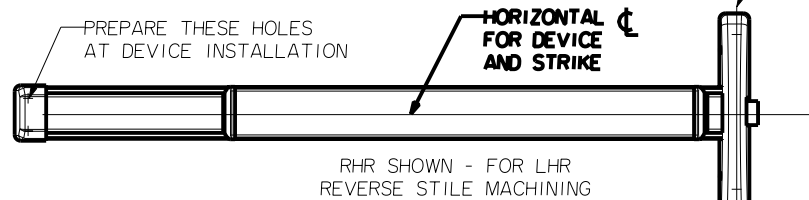
SINGLE DOOR WITH 5/8 STOP



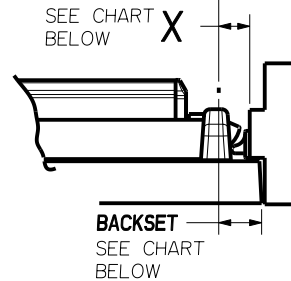
PAIR OF DOORS WITH 811 OR 822 MULLION



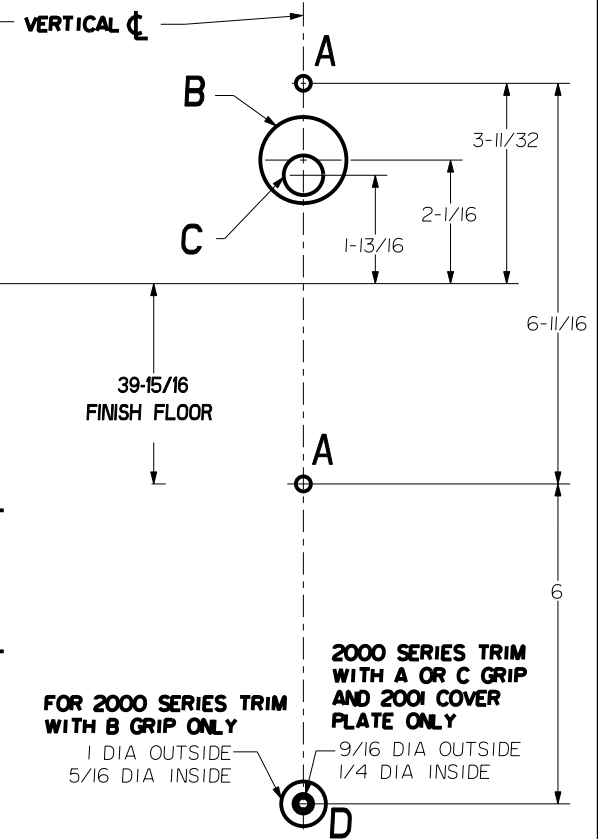
PAIR OF DOORS WITH 811 OR 822 MULLION



SINGLE DOOR WITH 5/8 STOP



LOCK STILE MACHINING



STRIKE		APPLICATION	BACKSET	MIN. STILE	DIM X
S300 S30I	SINGLE DOOR		1-15/16	2-7/8	1-7/16
	PAIR OF DOORS		2-3/8	3-1/4	
S458	SINGLE DOOR		1-11/16	2-5/8	1-3/16
	PAIR OF DOORS		2-1/8	3	

Precision Hardware a Division of Stanley Security Solutions, Inc. www.stanleysecuritysolutions.com			
DEVICE SERIES		TRIM SERIES	
2400, FL2400		2000	
STRIKE NO.	RELEASED DATE	TEMPLATE NO.	REV
S300, S30I, S458	5/01/05	HM-2400C	C