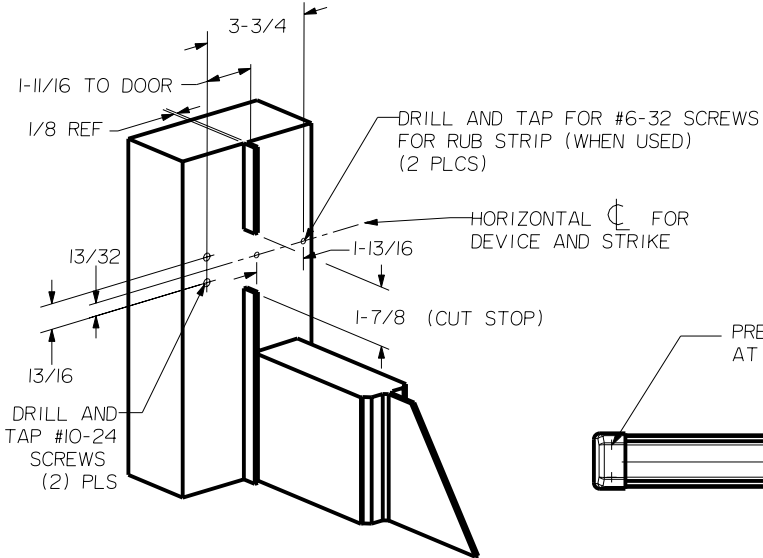


SEX BOLT MACHINING

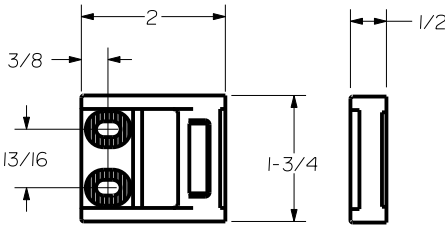
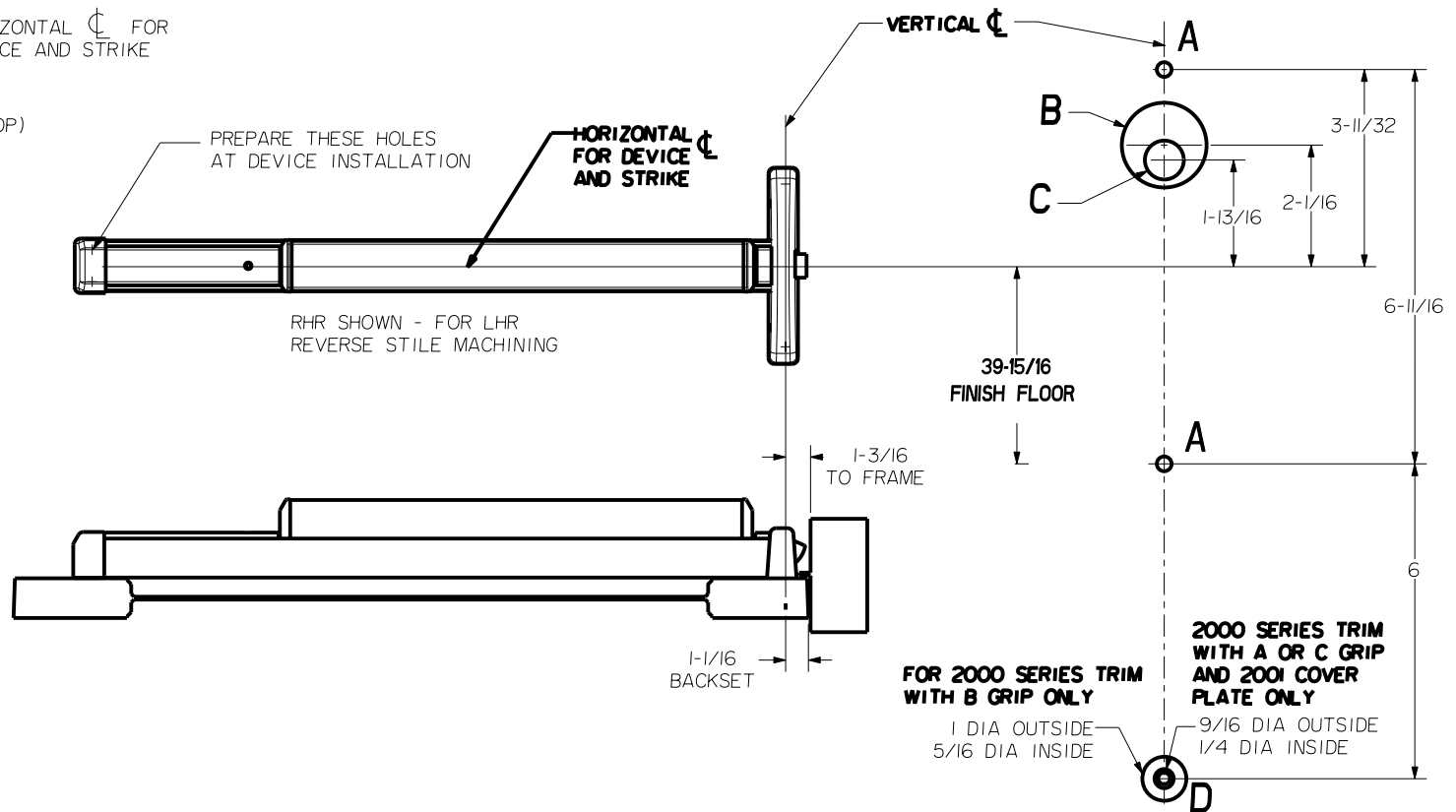
DRILL 1/4 DIA. INSIDE
DRILL 3/8 DIA. OUTSIDE



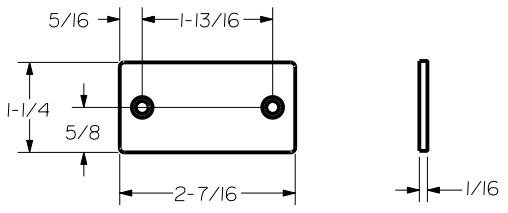
NOTE: "LETTER" AT END OF TRIM MODEL NO. DESIGNATES GRIP STYLE. EXCEPT AS NOTED, GRIP STYLE HAS NO EFFECT ON STILE MACHINING.

HOLE (2) PLS	A	DEVICES	TRIMS	HOLE B	HOLE C
1/4 DIA INSIDE 13/32 DIA OUTSIDE		2401	2001	NO	NO
		2402	2002		
		2403	2003	1-3/8 DIA OUTSIDE	5/8 DIA. INSIDE

LOCK STILE MACHINING




ROLLER STRIKE S988 STANDARD



RUB STRIP S454 (STANDARD)

ALUMINUM DOOR AND FRAME WITH BLADE OR APPLIED STOP		
MIN. STILE	DEVICE SIZE	DOOR WIDTH
1-3/4"	3'-0"	2'-6" TO 3'-0"
	4'-0"	3'-1" TO 4'-0"

 Precision Hardware a Division of Stanley Security Solutions, Inc. www.stanleysecuritysolutions.com			
DEVICE SERIES		TRIM SERIES	
2400		2000	
STRIKE NO.	RELEASED DATE	TEMPLATE NO.	REV
S988	5/01/05	AL-2400C	C